

THIS DRAWING IS UNPUBLISHED. RELEASED FOR PUBLICATION .19
 © COPYRIGHT 19 BY AMP INCORPORATED. ALL RIGHTS RESERVED.

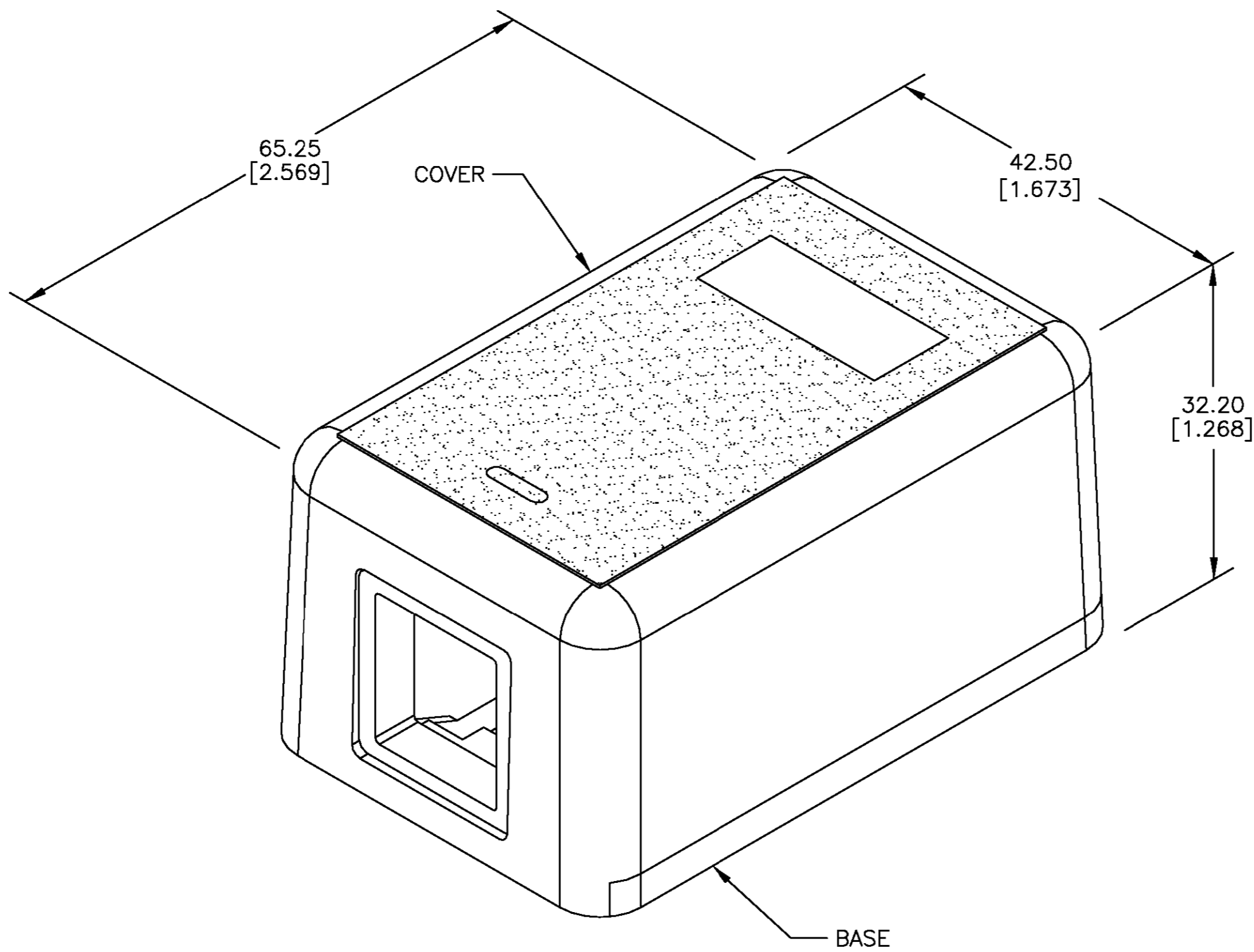
LOC	DIST	REVISIONS			
P	LTR	DESCRIPTION	DATE	DWN	APVD
AA	27	0	RLSD; NPR C99-117	15JUL99	GG GB

D

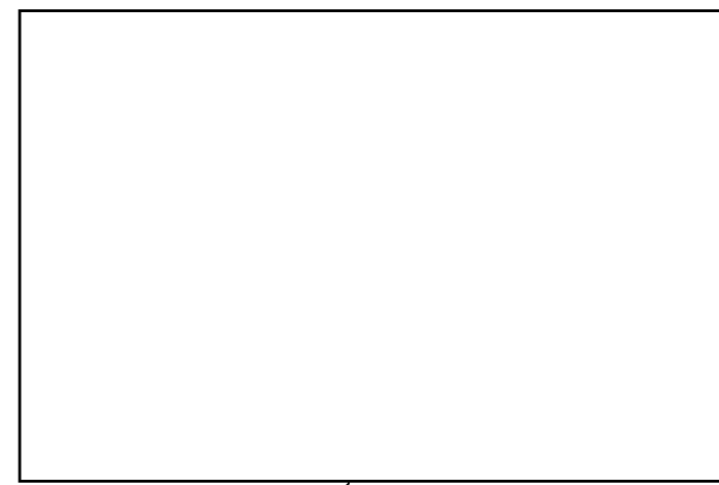
C

B

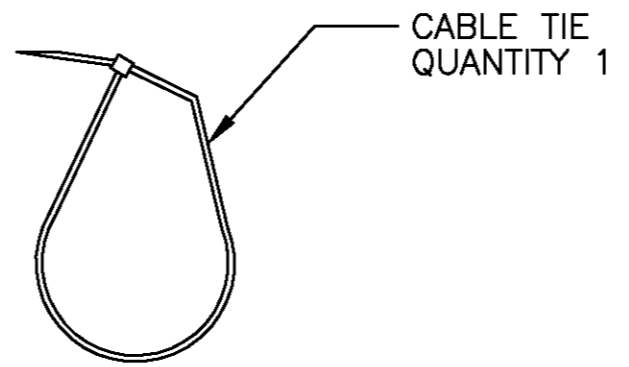
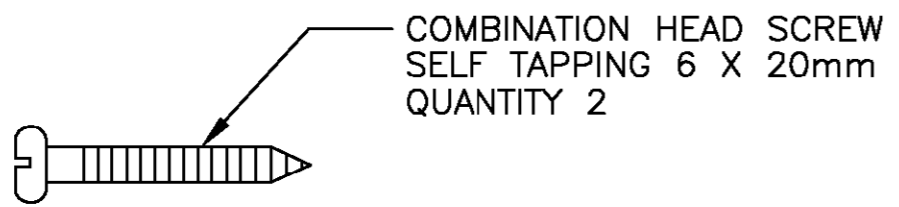
A



- △ MATERIAL: BASE AND COVER - ABS MOLDING COMPOUND UL94V-0. SEE TABLE FOR COLOR.
 CABLE TIE - NYLON
 SCREWS - ZINC PLATED CARBON STEEL.
- PACKAGED 1 KIT PER POLYBAG.
 - ALL DIMENSIONS SHOWN ARE MAXIMUM.



DOUBLE SIDED FOAM TAPE
 QUANTITY 1



ELECTRIC IVORY	1-1116697-1
NEMA GRAY	1116697-4
WHITE	1116697-3
BLACK	1116697-2
LIGHT ALMOND	1116697-1
COLOR	PART NUMBER

THIS DRAWING IS A CONTROLLED DOCUMENT.		DWN G. GARRETT 15JUL99	AMP Incorporated Harrisburg PA 17105-3608	
DIMENSIONS: mm [INCHES]		CHK G. BOWMAN 15JUL99	NAME G. BOWMAN	
TOLERANCES UNLESS OTHERWISE SPECIFIED:		APVD G. BOWMAN 15JUL99	PRODUCT SPEC	
0 PLC	± -	APPLICATION SPEC		
1 PLC	± -	-		
2 PLC	± -	-		
3 PLC	± -	-		
4 PLC	± -	-		
ANGLES	± -	-		
FINISH	-	-		
MATERIAL	△	WEIGHT	-	RESTRICTED TO
CUSTOMER DRAWING		SIZE	A2	00779
		DRAWING NO	C=1116697	
		SCALE	2:1	SHEET 1 OF 1
		REV	0	

1116697

B

A